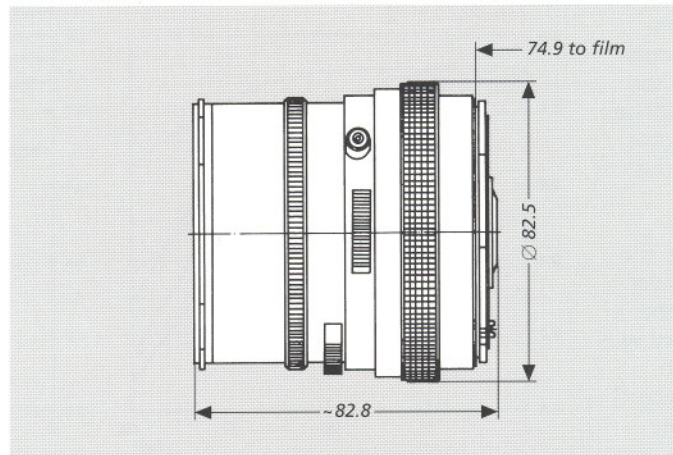
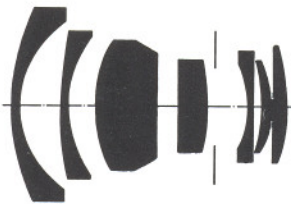


Distagon® T* f/3.5 – 60 mm



H A S S E L B L A D



The 60 mm Distagon® T* f/3.5 lens is a fast, light and compact wide-angle lens. This Distagon® lens provides an

object field which is approx. 80% larger than that of the 80 mm Planar® T* f/2.8 lens. Even at full aperture, this retro-focus lens provides very good image quality.

The varied applications of the 60 mm Distagon® T* f/3.5 lens make it almost a universal lens. Many owners of Hasselblad cameras will include this lens together with the 150 mm Sonnar® T* f/4 lens in their standard equipment.

Cat. No. of lens:	10 48 69	Focusing range:	∞ to 0.6 m
Number of elements:	7	Reproduction ratio:	0 to 1:7.3
Number of groups:	7	Close-limit field size:	417 x 417 mm
Max. aperture:	f/3.5	Entrance pupil:	
Focal length:	60.2 mm	Position:	32.2 mm behind the first lens vertex
Negative size:	56.5 x 56.5 mm	Diameter:	17.0 mm
Angular field 2w:	diagonal 66°, side 50°	Exit pupil:	
Spectral range:	visible spectrum	Position:	22.7 mm in front of the last lens vertex
Aperture scale:	3.5 – 4 – 5.6 – 8 – 11 – 16 – 22	Diameter:	26.7 mm
Mount:	focusing mount with bayonet; coupling system for automatic diaphragm function	Position of principal planes:	
Shutter:	Prontor CF	H:	53.8 mm behind the first lens vertex
Filter connection:	bayonet for Hasselblad series 60	H':	11.0 mm in front of the last lens vertex
Weight:	approx. 680 g	Back focal distance:	71.1 mm
		Distance between first and last lens vertex:	75.3 mm

Planar
100 Years



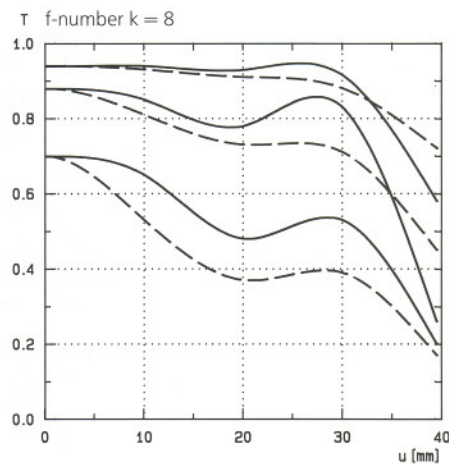
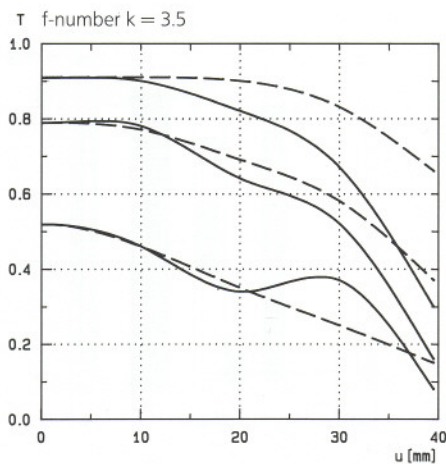
Performance data: Distagon® T* f/3.5 – 60 mm No. 104869

1. MTF Diagrams

The image height u – calculated from the image center – is entered in mm on the horizontal axis of the graph. The modulation transfer T (MTF = Modulation Transfer Factor) is entered on the vertical axis. Parameters of the graph are the spatial frequencies R in cycles (line pairs) per mm given at the top of this page.

The lowest spatial frequency corresponds to the upper pair of curves, the highest spatial frequency to the lower pair. Above each graph, the f-number k is given for which the measurement was made. "White" light means that the measurement was made with a subject illumination having the approximate spectral distribution of daylight.

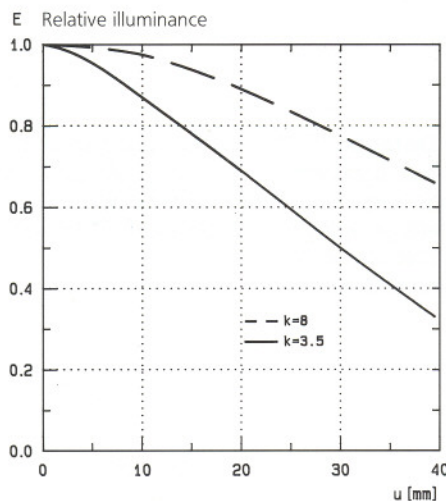
Modulation transfer T as a function of image height u . Slit orientation: tangential ——— sagittal - - - - -
White light. Spatial frequencies $R = 10, 20$ and 40 cycles/mm



Unless otherwise indicated, the performance data refer to large object distances, for which normal photographic lenses are primarily used.

2. Relative illuminance

In this diagram the horizontal axis gives the image height u in mm and the vertical axis the relative illuminance E , both for full aperture and a moderately stopped-down lens. The values for E are determined taking into account vignetting and natural light decrease.



3. Distortion

Here again the image height u is entered on the horizontal axis in mm. The vertical axis gives the distortion V in % of the relevant image height. A positive value for V means that the actual image point is further from the image center than with perfectly distortion-free imaging (pincushion distortion); a negative V indicates barrel distortion.



Carl Zeiss
Photoobjektive
D-73446 Oberkochen
Tel.: (0 73 64) 20-61 75
Fax: (0 73 64) 20 40 45

For advice, please contact